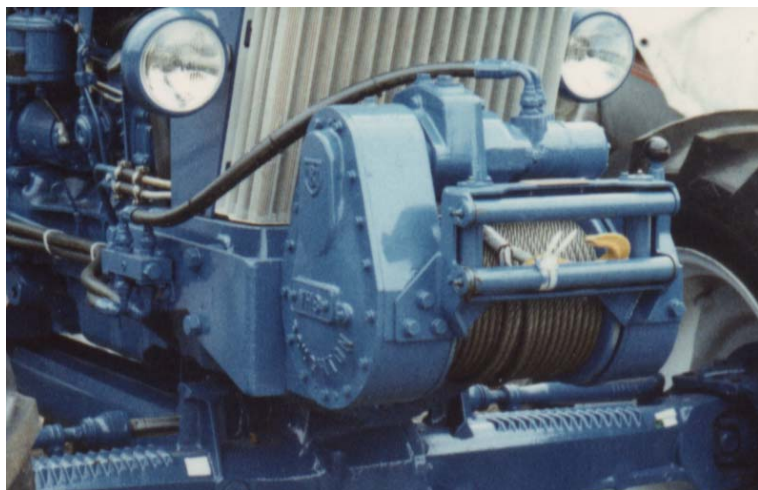


Ulrich

'Boughton VH Series' Hydraulic Drive Winches



- Line pulls up to 5 tonne
- Hoists up to 2.5 tonne
- Equal forward and reverse rotation
- Free spooling drum
- Single lever control
- Hydraulic or mechanical automatic brake
- Bulkhead or angle mounting

The 'VH Series' winches are without doubt the most versatile units within the Ulrich range. They have been developed to fulfill the need for simple yet efficient small hydraulic drive winches in a variety of applications.

Whether tractor, vehicle, crane or even 'skid' mounted the 'VH Series' are highly reliable winches used for self recovery, vehicle recovery, logging, loading, hoisting and many other operations.

With a choice of gear ratios, drum widths, hydraulic motors and angle or bulkhead mounting the uses for these units are virtually unlimited.

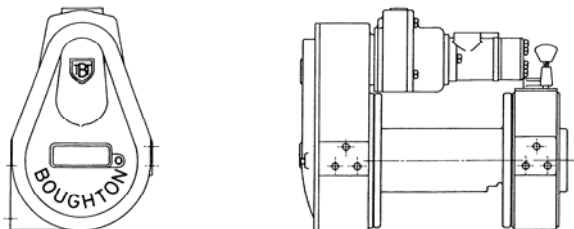


Ulrich
Attachments Limited

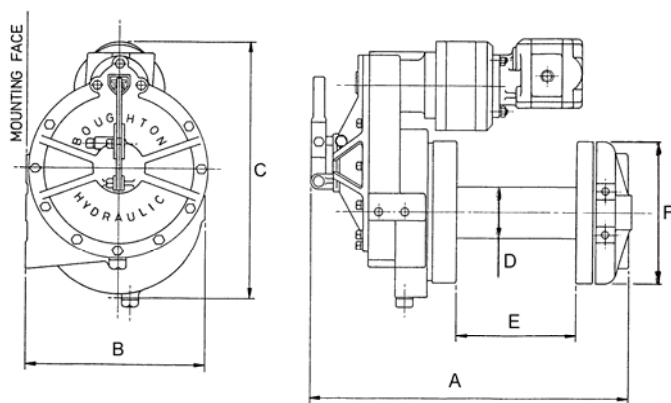
SPECIALIST ATTACHMENT MANUFACTURERS
TRIANGLE BUSINESS PARK - QUILTERS WAY
STOKE MANDEVILLE - AYLESBURY
BUCKS HP22 5BL - ENGLAND
Tel: +44 (0)1296 616780 Fax: +44 (0)1296 614903
web: www.ulrich.co.uk e-mail: sales@ulrich.co.uk

Ulrich

VH Series Specifications



Model VH6/VH8



Model VH10

Model	Winch dimensions in mm					
	A	B	C	D	E	F
VH6	550	285	422	102	248	273
VH8	550	285	422	102	248	273
VH10/L8	613	381	565	127	203	330
VH10/L11	689	381	565	127	279	330
VH10/L13	740	381	565	127	330	330
VH10/L17	841	381	565	127	432	330

Winch Model	Line Pulls & Speeds		Hydraulic Pressure	Hydraulic Oil Flow	Recommended Oil Flows		Wire Rope Dia	Rope Length	
	Bare Drum	Full Drum			Minimum	Maximum		Recommended	Maximum
VH6	3000 Kg	1500 Kg	100 Bar	55 l/min	20 l/min	55 l/min	9mm	100m	130m
	12 m/min	24 m/min							
VH8	3800 Kg	1890 Kg	110 Bar	55 l/min	20 l/min	55 l/min	11mm	75m	95m
	8 m/min	20 m/min							
VH10/L8	5000 Kg	2500 Kg	160 Bar	90 l/min	45 l/min	140 l/min	13mm	65m	80m
	17 m/min	34 m/min							
VH10/L11	5000 Kg	2500 Kg	160 Bar	90 l/min	45 l/min	140 l/min	13mm	90m	110m
	17 m/min	34 m/min							
VH10/L13	5000 Kg	2500 Kg	160 Bar	90 l/min	45 l/min	140 l/min	13mm	110m	130m
	17 m/min	34 m/min							
VH10/L17	5000 Kg	2500 Kg	160 Bar	90 l/min	45 l/min	140 l/min	13mm		
	17 m/min	34 m/min							

Line pulls quoted are based on 80% overall efficiency.

When existing hydraulic circuits vary from the above, please consult Ulrich Attachments Ltd for appropriate performance specification.